


Qty.	Description
1	<p data-bbox="204 383 488 405"><b>TP 65-230/2 A-F-A-BAQE</b></p> <div data-bbox="236 421 550 741">  </div> <p data-bbox="592 725 1062 748">Note! Product picture may differ from actual product</p> <p data-bbox="204 757 464 779">Product No.: <a href="#">96087310</a></p> <p data-bbox="204 831 1437 904">Single-stage, close-coupled, volute pump with in-line suction and discharge ports of identical diameter. The pump is of the top-pull-out design, i.e. the power head (motor, pump head and impeller) can be removed for maintenance or service while the pump housing remains in the pipework.</p> <p data-bbox="204 913 1382 965">The pump is fitted with an unbalanced rubber bellows seal. The shaft seal is according to EN 12756. Pipework connection is via PN 16 DIN flanges (EN 1092-2 and ISO 7005-2).</p> <p data-bbox="204 1010 276 1032">Liquid:</p> <p data-bbox="204 1041 695 1064">Pumped liquid: Water</p> <p data-bbox="204 1077 683 1099">Liquid temperature range: 0 .. 120 °C</p> <p data-bbox="204 1113 628 1135">Selected liquid temperature: 20 °C</p> <p data-bbox="204 1149 695 1171">Density: 998.2 kg/m<sup>3</sup></p> <p data-bbox="204 1225 312 1247">Technical:</p> <p data-bbox="204 1256 818 1279">Pump speed on which pump data are based: 2910 rpm</p> <p data-bbox="204 1292 671 1314">Rated flow: 37.2 m<sup>3</sup>/h</p> <p data-bbox="204 1328 643 1350">Rated head: 18.1 m</p> <p data-bbox="204 1364 655 1386">Actual impeller diameter: 130 mm</p> <p data-bbox="204 1400 635 1422">Primary shaft seal: BAQE</p> <p data-bbox="204 1435 635 1458">Code for shaft seal: BAQE</p> <p data-bbox="204 1471 759 1494">Curve tolerance: ISO9906:2012 3B</p> <p data-bbox="204 1547 308 1570">Materials:</p> <p data-bbox="204 1579 584 1601">Type key, code for materials: A</p> <p data-bbox="204 1615 735 1711">Pump housing: Cast iron EN-JL1040 ASTM A48-40B</p> <p data-bbox="204 1724 735 1821">Impeller: Cast iron EN-JL1030 ASTM A48-30B</p> <p data-bbox="204 1874 325 1897">Installation:</p> <p data-bbox="204 1906 628 1928">Maximum ambient temperature: 60 °C</p> <p data-bbox="204 1942 636 1964">Maximum operating pressure: 16 bar</p> <p data-bbox="204 1977 608 2000">Type of connection: DIN</p> <p data-bbox="204 2013 636 2036">Size of connection: DN 65</p> <p data-bbox="204 2049 636 2072">Pressure rating for connection: PN 16</p>



Company name:

Created by:

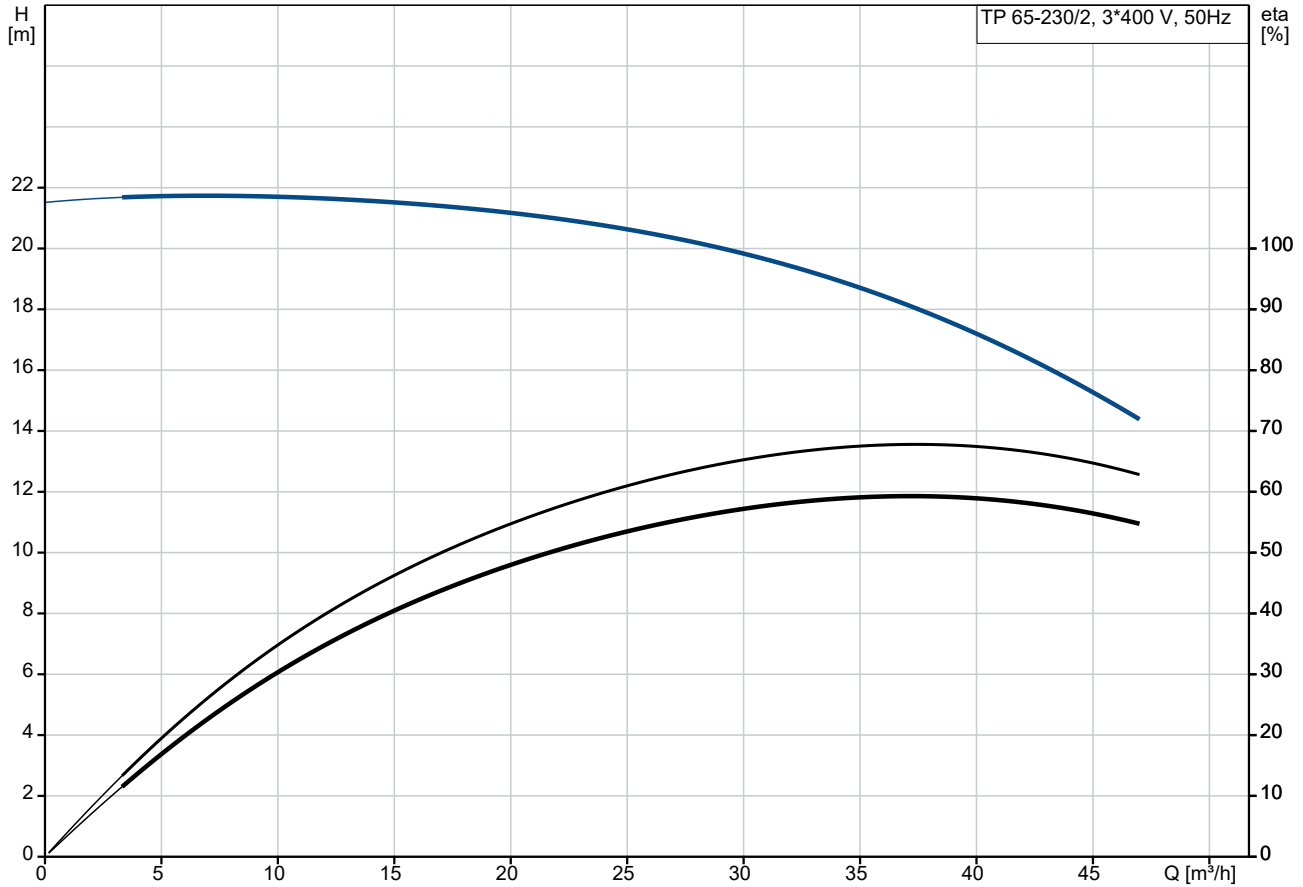
Phone:

Date:

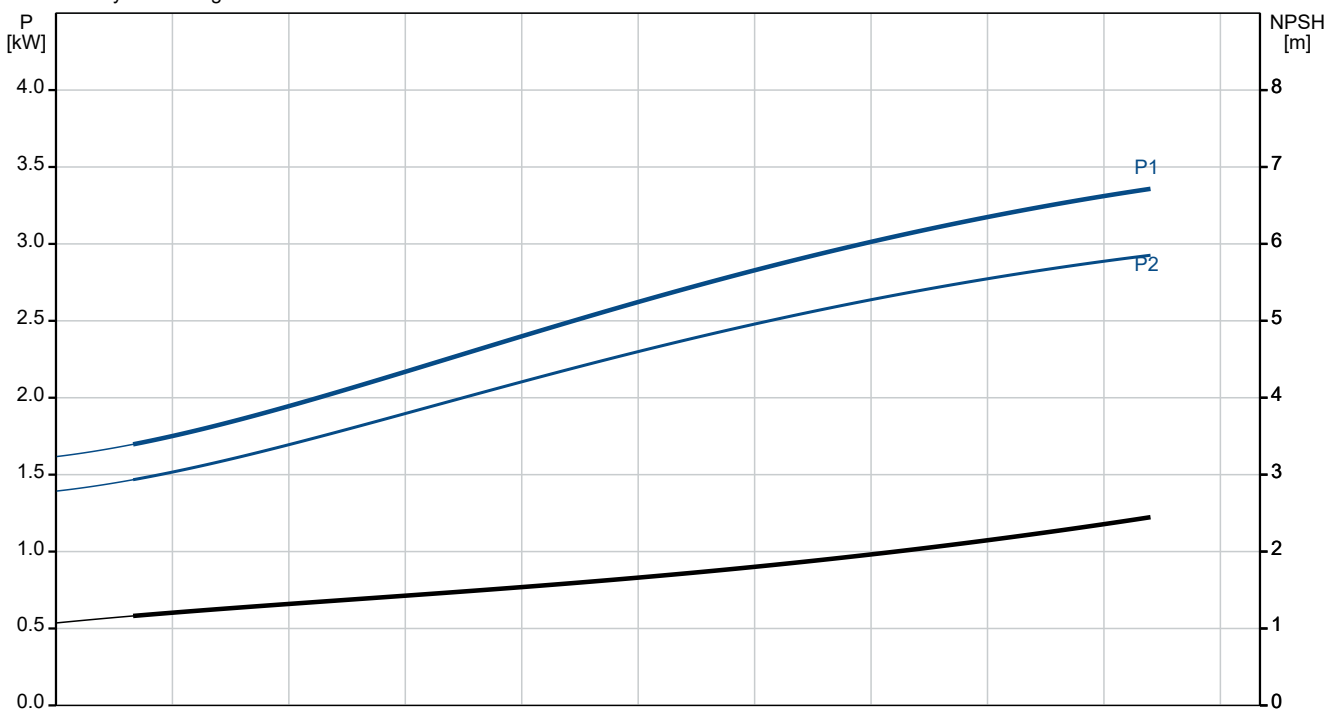
03/04/2026

Qty.	Description
1	Port-to-port length: 360 mm
	Electrical data:
	Motor type: 100LC
	Rated power - P2: 3 kW
	Mains frequency: 50 Hz
	Rated voltage: 3 x 220-240D/380-415Y V
	Rated current: 11.0/6.30 A
	Starting current: 840-920 %
	Cos phi - power factor: 0.87-0.82
	Rated speed: 2900-2920 rpm
	IE efficiency: IE3 87,1%
	IE Efficiency class: IE3
	Motor efficiency at full load: 87.1 %
	Motor efficiency at 3/4 load: 88.0-87.0 %
	Motor efficiency at 1/2 load: 87.7-85.4 %
	Number of poles: 2
	Enclosure class (IEC 34-5): IP55 Dust/Jetting
	Insulation class (IEC 85): F
	Motor No: 87272295
	Others:
	Minimum efficiency index, MEI $\geq$ : 0.48
	Net weight: 65 kg
	Gross weight: 73 kg
	Shipping volume: 0.18 m <sup>3</sup>

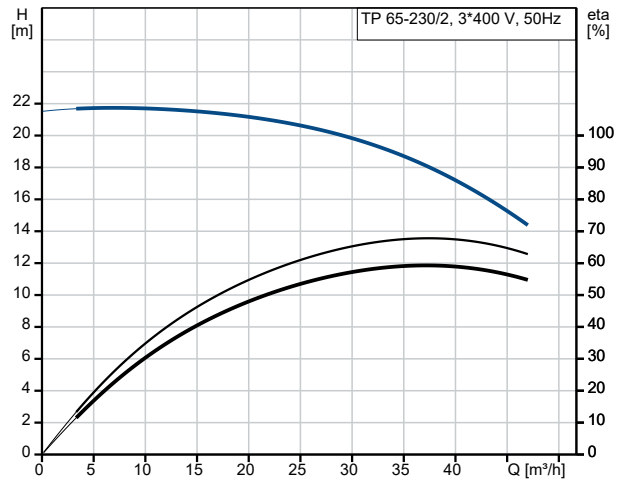
## 96087310 TP 65-230/2 A-F-A-BAQE 50 Hz



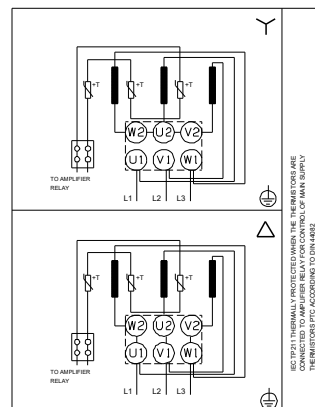
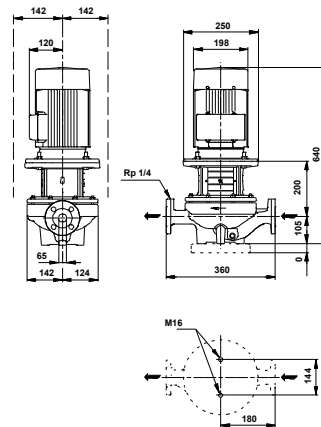
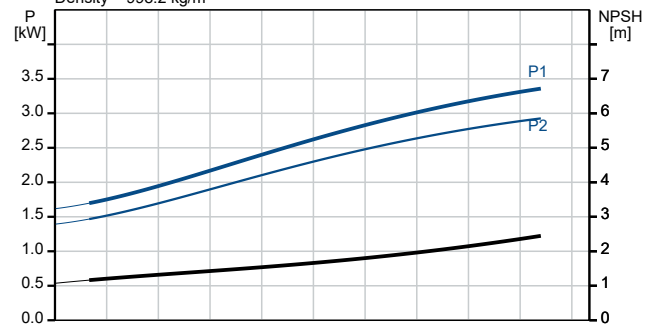
Pumped liquid = Water  
 Liquid temperature during operation = 20 °C  
 Density = 998.2 kg/m³



Description	Value
<b>General information:</b>	
Product name:	TP 65-230/2 A-F-A-BAQE
Product No:	96087310
EAN number:	5700395312768
<b>Technical:</b>	
Pump speed on which pump data are based:	2910 rpm
Rated flow:	37.2 m <sup>3</sup> /h
Rated head:	18.1 m
Maximum head:	230 dm
Actual impeller diameter:	130 mm
Primary shaft seal:	BAQE
Code for shaft seal:	BAQE
Curve tolerance:	ISO9906:2012 3B
Pump version:	A
<b>Materials:</b>	
Type key, code for materials:	A
Pump housing:	Cast iron EN-JL1040 ASTM A48-40B
Impeller:	Cast iron EN-JL1030 ASTM A48-30B
Material code:	A
<b>Installation:</b>	
Maximum ambient temperature:	60 °C
Maximum operating pressure:	16 bar
Type key, code for pipework connection:	F
Type of connection:	DIN
Size of connection:	DN 65
Pressure rating for connection:	PN 16
Port-to-port length:	360 mm
Connect code:	F
<b>Liquid:</b>	
Pumped liquid:	Water
Liquid temperature range:	0 .. 120 °C
Selected liquid temperature:	20 °C
Density:	998.2 kg/m <sup>3</sup>
<b>Electrical data:</b>	
Motor type:	100LC
Rated power - P2:	3 kW
Mains frequency:	50 Hz
Rated voltage:	3 x 220-240D/380-415Y V
Rated current:	11.0/6.30 A
Starting current:	840-920 %
Cos phi - power factor:	0.87-0.82
Rated speed:	2900-2920 rpm
IE efficiency:	IE3 87,1%
IE Efficiency class:	IE3
Motor efficiency at full load:	87.1 %
Motor efficiency at 3/4 load:	88.0-87.0 %
Motor efficiency at 1/2 load:	87.7-85.4 %
Number of poles:	2
Enclosure class (IEC 34-5):	IP55 Dust/Jetting
Insulation class (IEC 85):	F



Pumped liquid = Water  
Liquid temperature during operation = 20 °C  
Density = 998.2 kg/m<sup>3</sup>





Company name:

Created by:

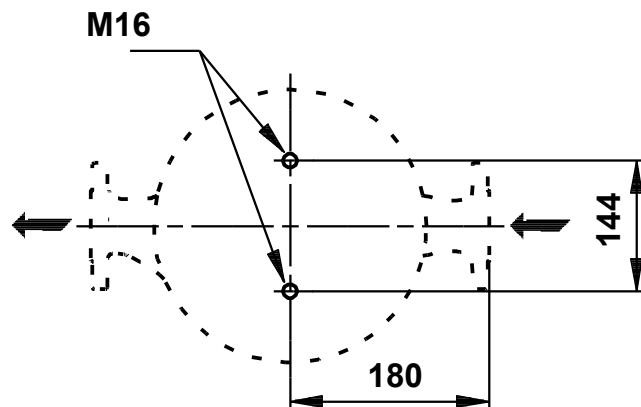
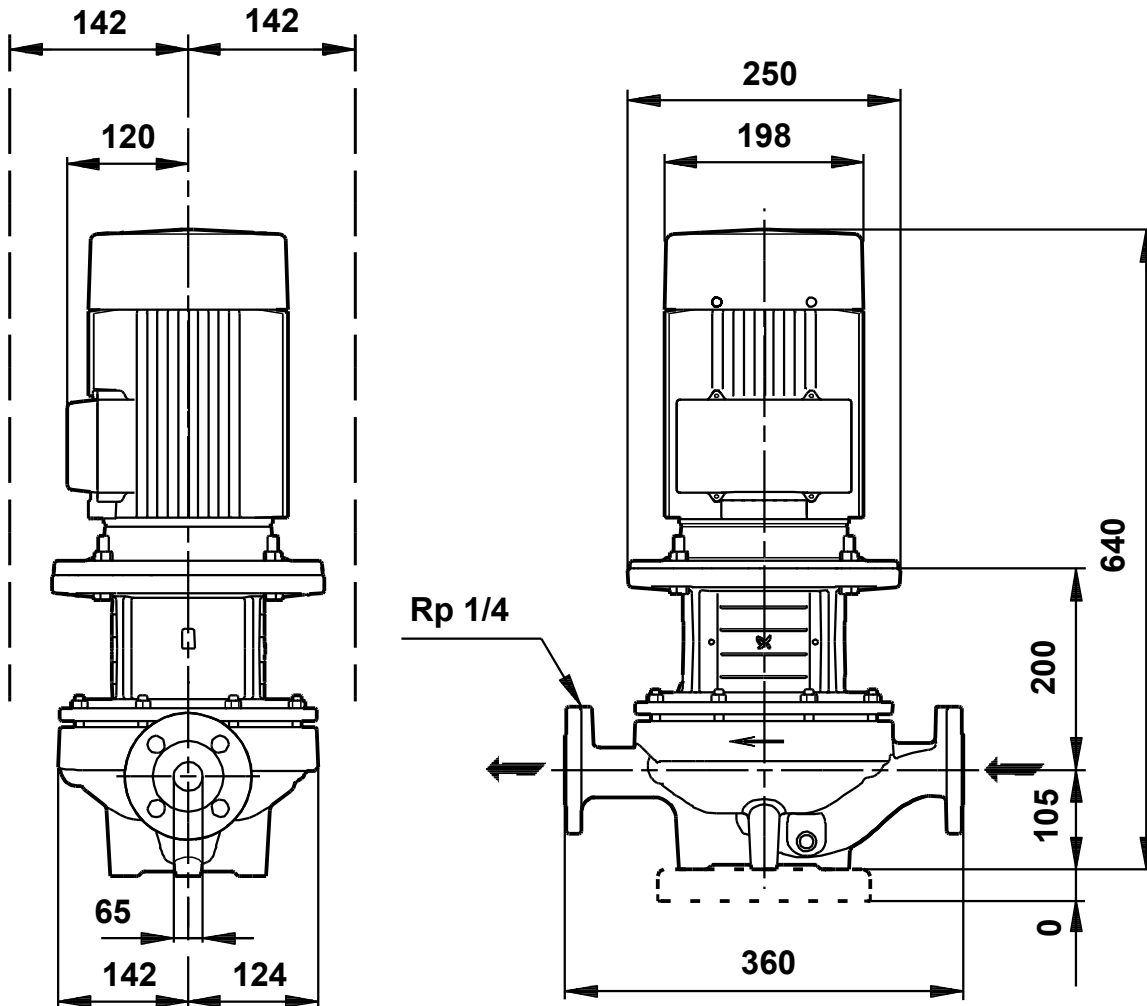
Phone:

Date:

03/04/2026

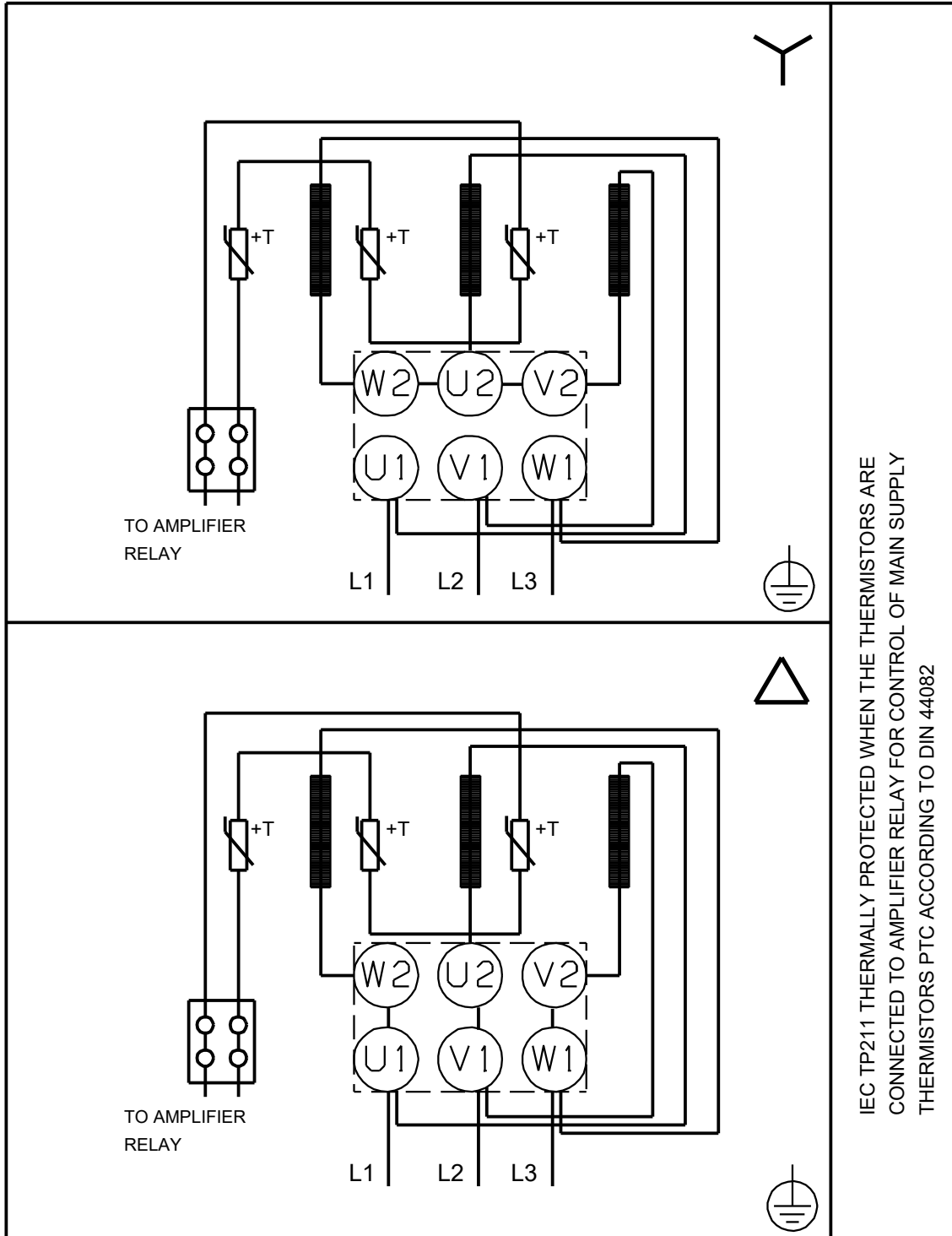
Description	Value
Built-in motor protection:	PTC
Motor No:	<a href="#">87272295</a>
<b>Others:</b>	
Minimum efficiency index, MEI ≥:	0.48
Net weight:	65 kg
Gross weight:	73 kg
Shipping volume:	0.18 m <sup>3</sup>

## 96087310 TP 65-230/2 A-F-A-BAQE 50 Hz



Note! All units are in [mm] unless others are stated.  
Disclaimer: This simplified dimensional drawing does not show all details.

## 96087310 TP 65-230/2 A-F-A-BAQE 50 Hz



IEC TP211 THERMALLY PROTECTED WHEN THE THERMISTORS ARE  
CONNECTED TO AMPLIFIER RELAY FOR CONTROL OF MAIN SUPPLY  
THERMISTORS PTC ACCORDING TO DIN 44082

Note! All units are in [mm] unless others are stated.